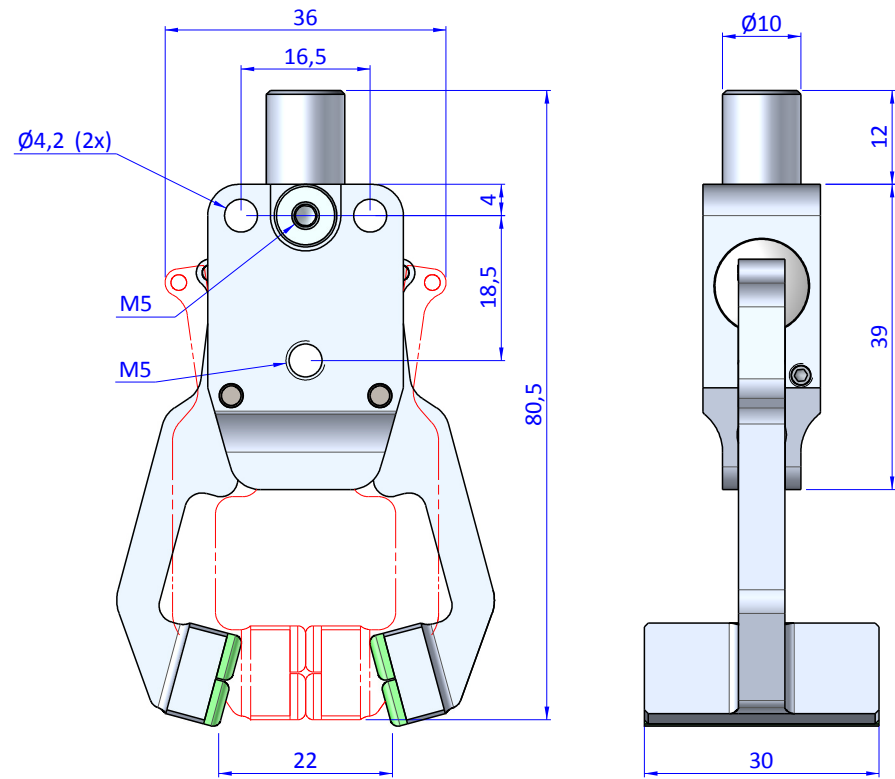
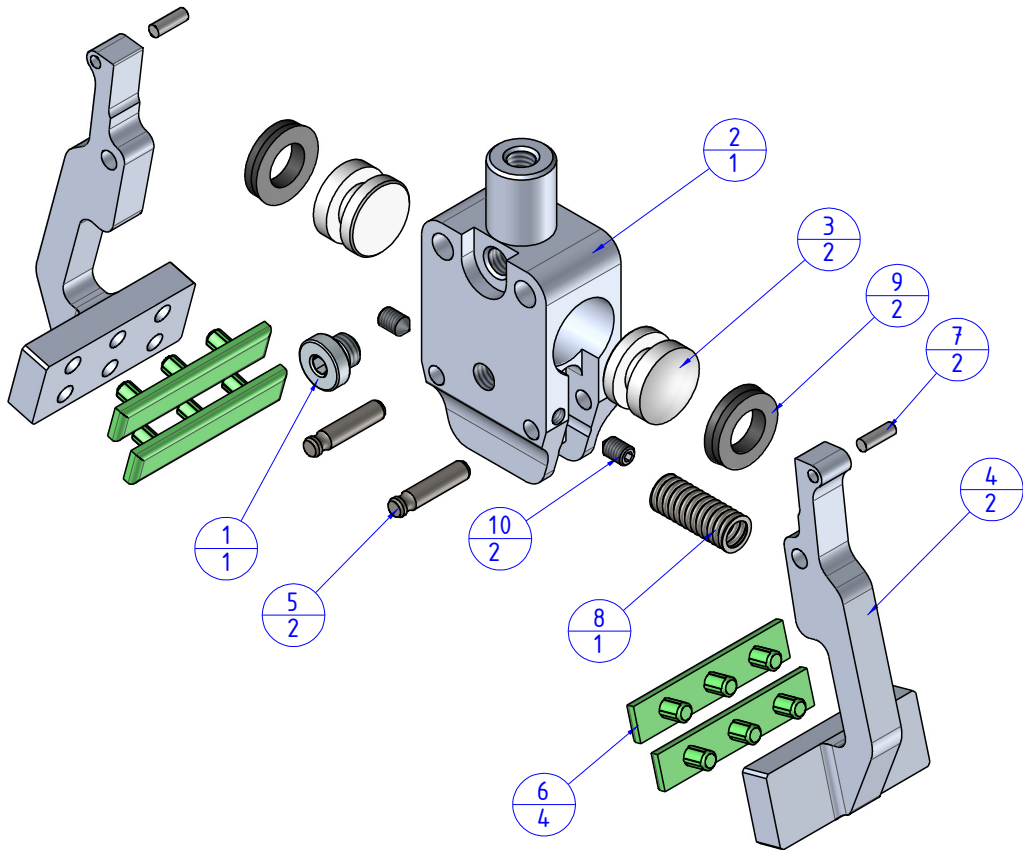



THE PROPERTY OF THE DRAWING IS ESTABLISHED BY LAW. IT IS FORBIDDEN TO PRODUCE OR SHOW IT TO THIRD PARTY, WITHOUT A WRITTEN AGREEMENT.

Item	Name	Q.ty
1	CA.08.14.013	1
2	GZA.10.12.1.L	1
3	GZA.10.12.2	2
4	GZA.10.12.3.ATG	2
5	GZA.10.12.5	2
6	GZA.10.12.6.V	4
7	GZA.10.12.9	2
8	M.6x25.SH	1
9	PSP.1269255	2
10	V.STM3X5	2



Format A3

UNI 936-76

 FPS SERVICES AUTOMATION		DESIGNED FROM		REVIEW
		FPS Automation		A
GENERAL TOLERANCE		DATE	WEIGHT	
UNI - ISO 2768		09/07/2019	0,049kg	
CLASSE F		DESCRIPTION		CODE
		CA.GZA.10.12.ATG		CA.GZA.10.12.ATG